

Since 1959

TM



KIRIT INDUSTRIES



Specification

Size Range	2"-20"
Hydraulic pressure	30 to 150 PSI (2.0 to 10.3 Bar)
Leakage rate	Zero Allowable Leakage
Body	C.I, WCB, CF8,CF8M, SGI others on request
Gate	SS 304
Packing	Nitrile , Silicon Other on request
Gland follower	SGI, D.I, WCB, Gun metal
Yoke	M.S, SS304, SS316
Hand operated wheel	SGI, D.I, C.I, M.S, CF8
Pneumatic operated	Pneumatic cylinder
Flow Characteristic	Equal Percentage

- ✓ Excellent Design
- ✓ Light Weight
- ✓ Free from flaws



We K.I are leading and trusted brand providing pulp valves and knife edge gate valves to our clients. Carefully designed by our experts, It is best suited for providing unrestricted smooth flow of viscous and non-viscous fluids. We are providing it at as per the specified demand and our range has received excellent reviews and feedback among our patrons. Pulp valve and Knife edge gate offered by us is specialized product made for our customers requirements. Tested by us on well defined quality parameters this product is packaged in best grade material for sale. We are providing pulp valve at convenient rates to our clients.

Ref No.	Description of Special Parts
101	Housing 'A' inlet
102	Housing 'B' outlet
103	Supports
104	Cross member
105	Hand Wheel
106	Yoke
107	Gate
108	Gland Follower
109	Clearing Door
110	Nuts & Bolts

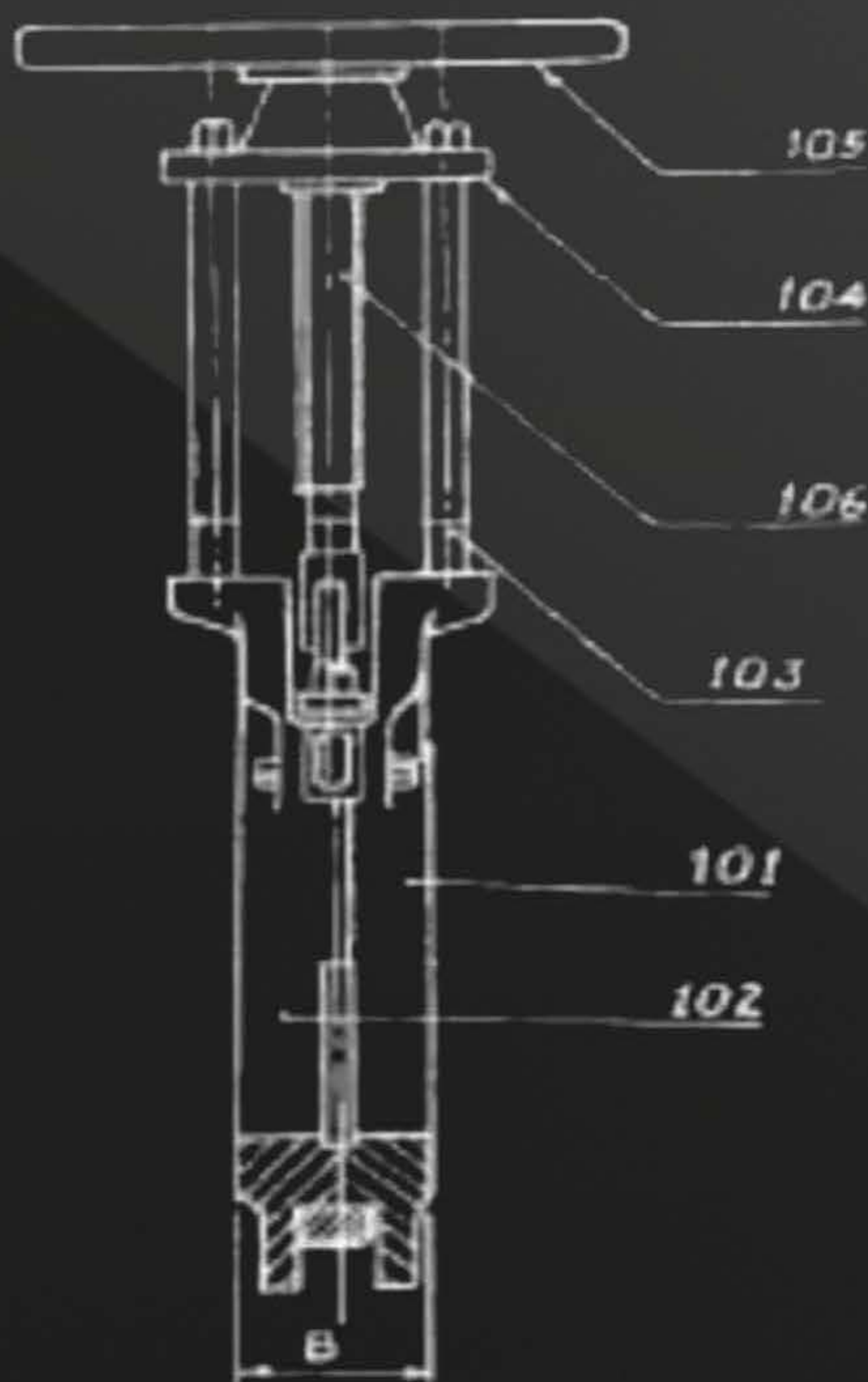
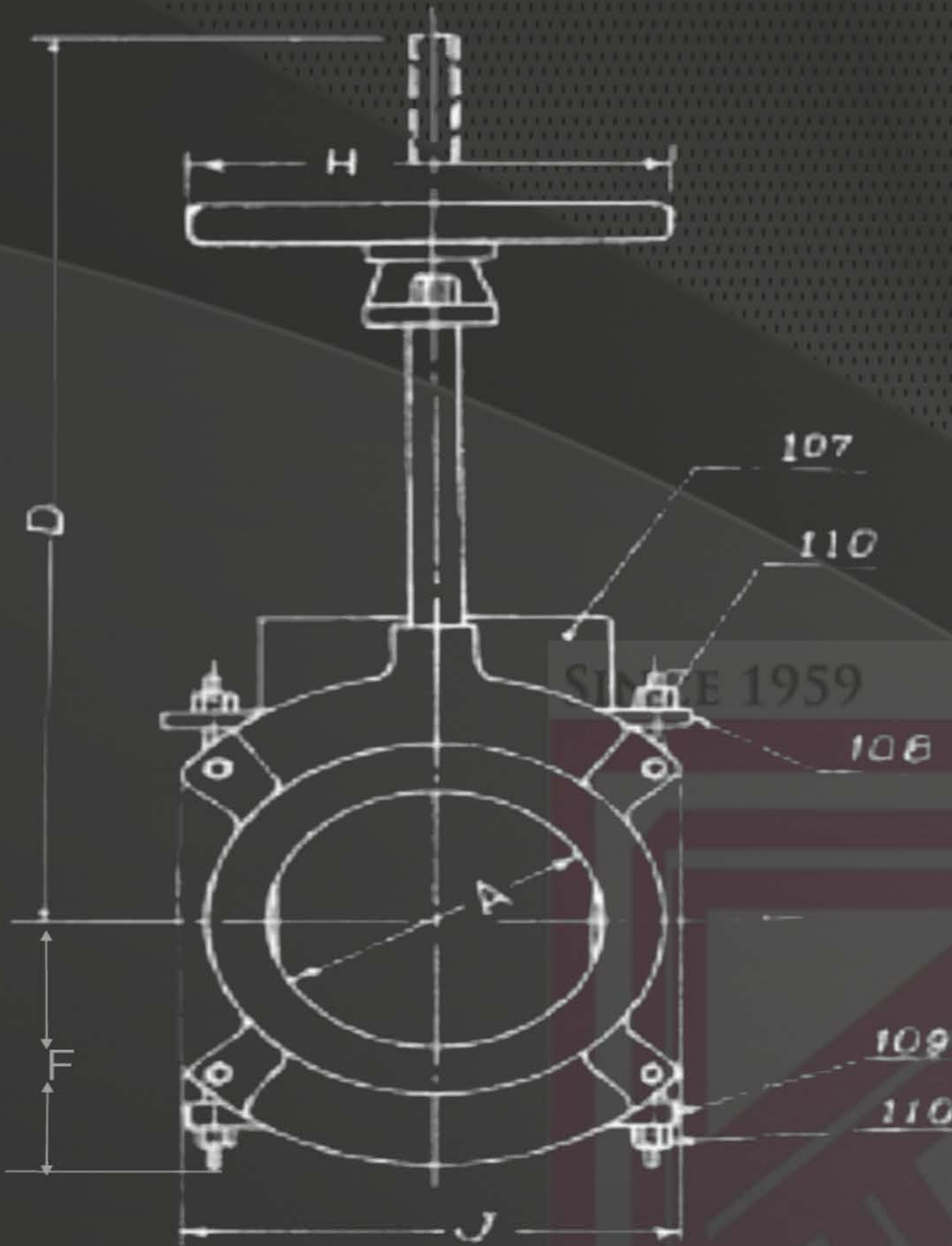
KIRIT PULP VALVE

Features

- Stainless steel sliding Gates for long life-Span
- Optimized Characteristic for supply of paper Pulp, Petroleum, board mills and chemical industries.
- Protected against corrosion
- Reliable mounting options
- Wide range of flow rates
- Available in wafer and lugged type

Applications

Kirit II Pulp Valve also known as Knife edge gate Valves are designed for isolation, on - off and throttling services in paper and pulp industries, power plants, Cement plants, sugar industries, Chemical and textile processing industries, minning water and sewage plants to handle slurries, slag, plug and fibrous materials, fly ash, powder, clean or corrosive Materials.

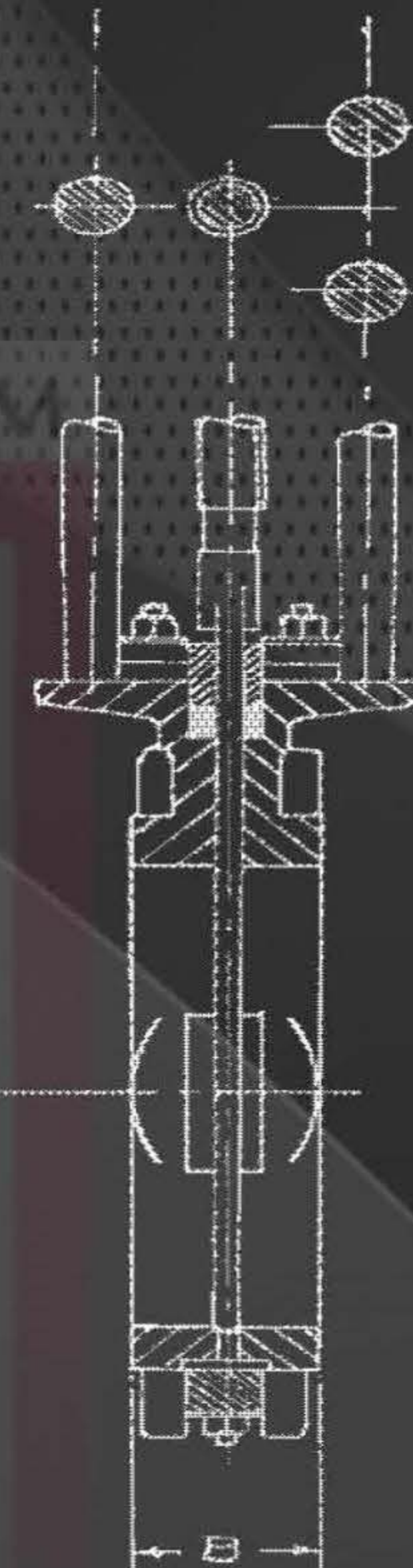
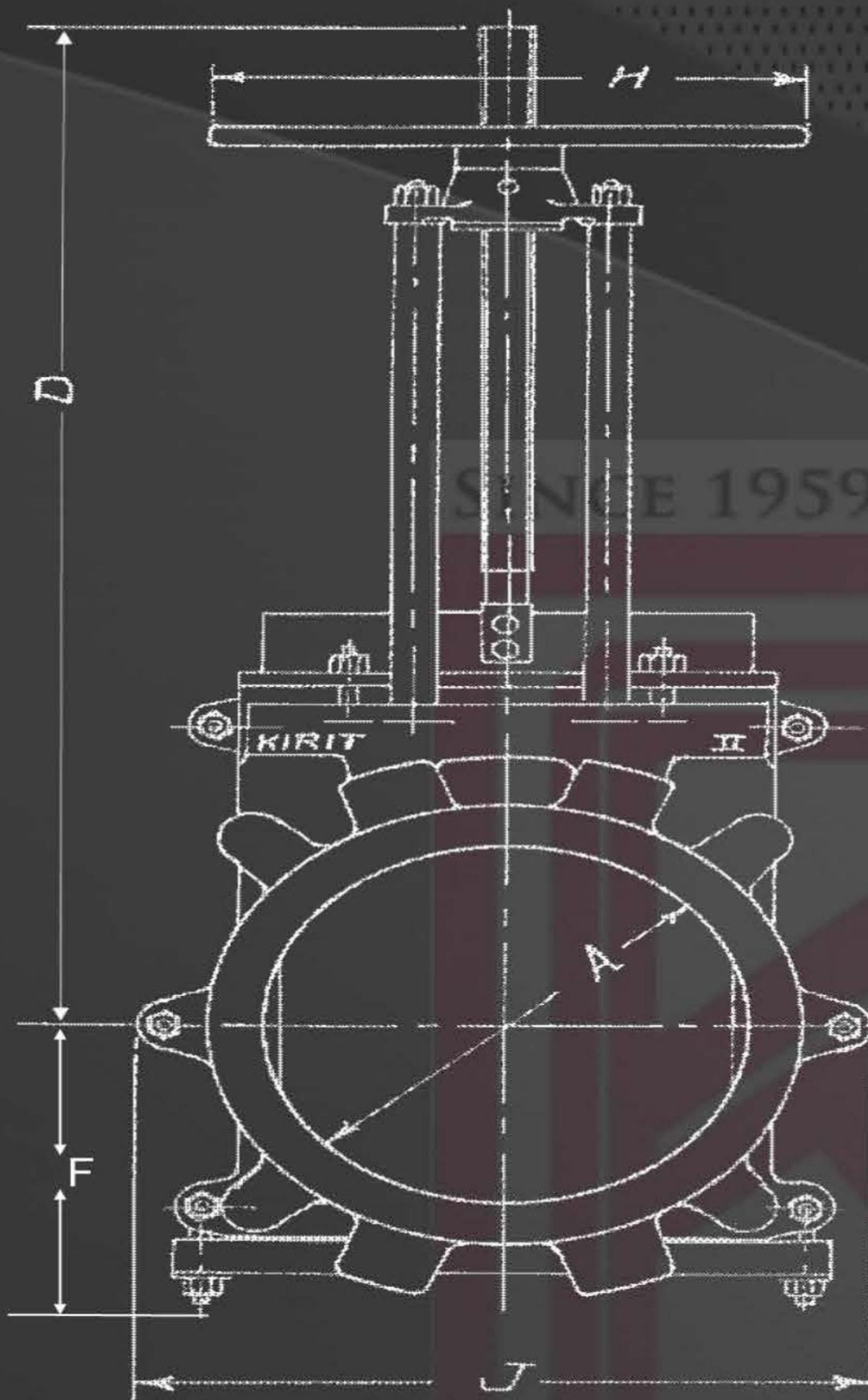


Valve size	A	B	D	H	J	F
50	50	62	362	225	120	120
65	65	62	402	225	132	130
80	80	62	333	225	148	140
100	100	64	365	225	178	150
125	125	66	395	225	185	160
150	150	68	422	225	242	145
200	200	72	520	280	285	170

(Lug type)

DIMENSIONS OF
Kirit II Knife Edge
Gate Valve

Pulp Valve



Valve size	A	B	D	H	J	F
250	250	76	900	320	390	200
300	300	80	1020	320	440	225
350	350	96	1160	375	440	225
400	400	100	1290	375	500	280
450	450	106	1480	520	600	310
500	500	110	1530	520	655	335

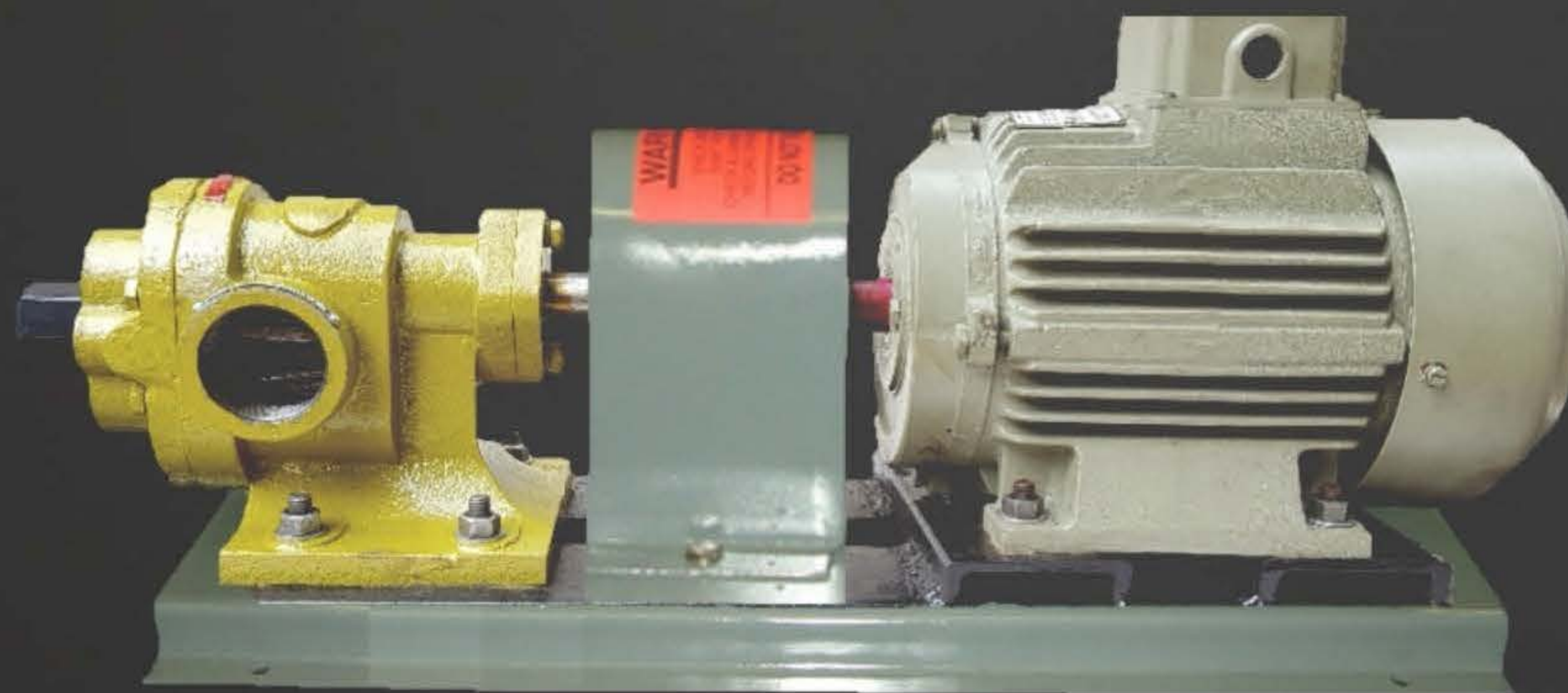
Note:- All dimensions are approx in M.M

Know More Products



Since 1959

TM



KIRIT INDUSTRIES

NEAR GHAYANINAGAR
OPP. UNION CO-OPERATIVE BANK,
NARODA GAM - 382330.
AHMEDABAD, GUJARAT
INDIA.

PH: +91- (079)-228231260417

Website: www.kiritpumps.com

E-mail: kiritindustries59@gmail.com.

info@kiritindustries.com